

Helix Test System

INTERSTER 



Helix Test System



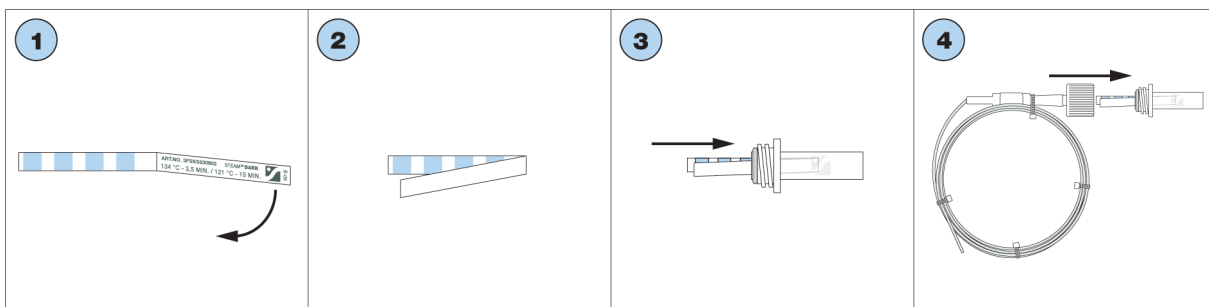
The Helix Test System by Interster is the ideal process challenge device to perform a “worst case” scenario when sterilizing instruments. This test is suitable for every sterilization process in a loaded autoclave. It can also be used to ensure maximum steam penetration where hollow instruments, or instruments with small lumina, are concerned.

The Helix strips are in compliance with EN 867-5 and EN-ISO 11140-1 (Type 2). It is easy to interpret the strip due to the clear and even colour change. The ink used is non-toxic and it can therefore not cause any damage to instruments. Due to the slice strip at the back side, the strip can be stored easily in a log or on a registration card.

The 3,5 minute and 5,3 minute helix have been known Interster products for years. For most countries these tests are sufficient. But different countries require different test. Therefore, to complete the range and offer a full product line Interster has developed a 7 minute helix. Just like the 3,5 minute and 5,3 minute helix, the 7 minute helix is also the ideal process challenge device to perform a “worst case” scenario when sterilizing instruments.



How to use the test:



*This image **cannot** to be used as reference colour for assessing Helix Test System Indicators.

	Article number 3FSKS630802
Description	Helix Test System
Unit (box)	100 pieces
Ster. time/temp.	3,5 min. - 134 °C

	Article number 3FSKS630806
Description	Helix Test System
Unit (box)	400 pieces
Ster. time/temp.	5,3 min. - 134 °C

	Article number 3FSKS630808
Description	Helix Test System
Unit (box)	100 pieces
Ster. time/temp.	7,0 min. - 134 °C

	Article number 3FSKS630812
Description	Helix Test System
Unit (box)	250 pieces
Ster. time/temp.	18 min. - 134 °C